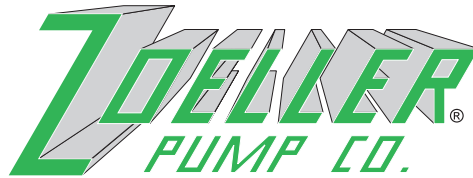


"QUALITY PUMPS SINCE 1939"

SECTION: 2.60.030

Product information presented here reflects conditions at time of publication. Consult factory regarding discrepancies or inconsistencies.



FM0692

0103

Supersedes

0102

MAIL TO: P.O. BOX 16347 • Louisville, KY 40256-0347  
SHIP TO: 3649 Cane Run Road • Louisville, KY 40211-1961  
(502) 778-2731 • 1 (800) 928-PUMP • FAX (502) 774-3624

visit our web site:  
<http://www.zoeller.com>

## QWIK JON SEWAGE REMOVAL SYSTEMS

SERIES 100/101/102- Economical sewage systems designed for built in or free standing installation.



### MODELS:

- Model 100 UL Listed 264 Pump
- Model 101 cCSAus Listed 211 Pump
- Model 102 UL Listed 266 Pump
- Patent No. 5,038,418

### TYPICAL INSTALLATIONS

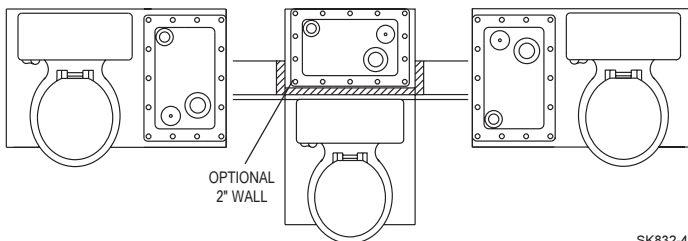
Versatile installation enables the pump compartment and piping to be concealed by the installation of a wall. **NOTE:** Access must be maintained to the pump compartment. **NOTE:** The Qwik Jon is designed to fit flush with any elevated floor made of standard 2" x 6" material (actual dimensions 1½" x 5½"). And you can add a Lavatory - Bathtub - Shower with the installation of the 2" adapt-a-flex seal (provided). Tub or shower requires built in installation. See Installation Instructions (FM1469).



Basic Installation  
Toilet, Fixtures and Piping Not Included

### INSTALL A QWIK JON JUST ABOUT ANYWHERE

- Designed to accommodate a toilet, lavatory and a bathtub
- Use with a variety of toilet styles (1.6 Gallon residential flush)
- Perfect for basements, family rooms, warehouse, factories, room additions
- No need to destroy concrete floors
- Reduces construction cost
- Pumps any direction
- Fits just about anywhere



SK832-4

Code approved (Consult factory)



Built In Installation  
Toilet, Fixtures and Piping Not Included

# TECHNICAL INFORMATION

## QWIK JON SYSTEMS INCLUDE:

### Sewage Pumps

MODEL 100	MODEL 101	Model 102
Pump: Model WM264	Model WM211	Model WM266
.4 HP 115V, 9.4 amps	.4 HP 115V, 5.5 amps	1/2 HP 115V, 10.4 amps
P.S.C. Motor	P.S.C. Motor	Split Phase Motor
UL Listed	cCSAus Certified	UL Listed

### NOTE:

Sewage Pumps WM264, WM211 & WM266 are designed for use in Qwik Jon units only.

They are not designed for use in any other application.

- Automatic level control switch
- Thermal overload protected motor
- Stainless steel screws, bolts & handle
- Non-clogging vortex impeller
- Passes 2" solids (sphere)
- UL listed 3-wire neoprene 10 ft. cord & plug
- Maximum temperature models 100 & 102 - 130° F (54° C).
- Maximum temperature model 101 - 110° F (43° C).

### Tank

MODEL 100/101/102 (Patented)

- Durable polyethylene tank
- Light gray finish
- Lightweight
- Weight: 27 lbs.

### 2" Back Flow Device and Union

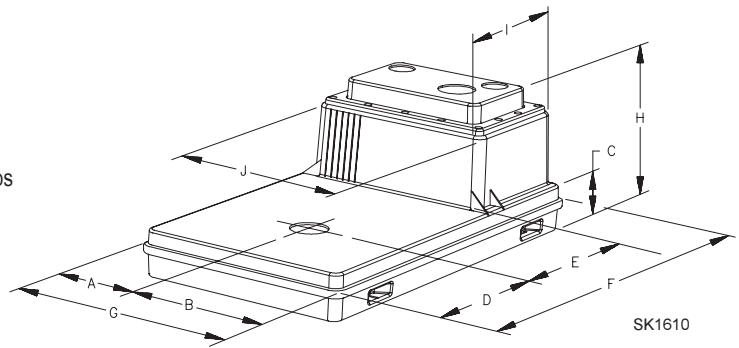
- 2" back-flow device (check local codes) required to prevent back-flow of water and sewer gas
- No threading of pipe required
- Fits ABS, PVC and steel pipe
- Weight: 2 lbs.

### ALL IN ONE CARTON

- Tank, lid & gasket
- .4 HP or 1/2 HP sewage pump
- Back-flow device (check local codes)
- 2" Discharge & 3" Vent with adapt-a-flex seals
- 2" adapt-a-flex seal for additional fixtures
- Floor Flange Extender Kit for 1/2" & 5/8" thick floors
- Hardware pack
- Installation instructions
- Shipping weight:  
100 System - 94 lbs.  
101 System - 67 lbs.  
102 System - 96 lbs.

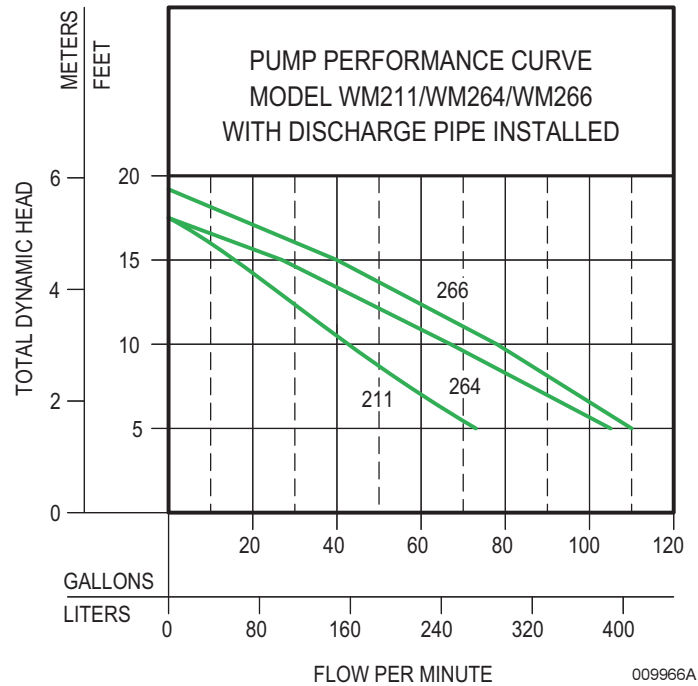
### ITEMS NEEDED BY INSTALLER

- Supply fittings & waste pipe
- Toilet fixture
- Electrical source with ground fault interrupter protected receptacle
- Water source
- Tools



DIMENSIONS A,B,D,F,& G ARE FROM THE WELD

MODEL NO.	A	B	C	D	E
100/101/102	12 1/4	12 1/4	5 1/2	13 3/4	14 1/8
	F	G	H	I	J
100/101/102	42 3/16	24 1/2	17	13 1/2	20 1/2



### TOTAL DYNAMIC HEAD/FLOW PER MINUTE SEWAGE AND DEWATERING

MODEL	WM211 MODEL 101		WM264 MODEL 100		WM266 MODEL 102		
	Feet	Meters	Gal.	Liters	Gal.	Liters	
5	1.5	73	276	105	397	110	416
10	3.1	39	148	67	254	78	295
15	4.6	19	72	27	102	40	151
Shut-off Head:		17.5 ft.(5.3m)		17.5 ft.(5.3m)		19.2 ft.(5.9m)	

NOTE: Recommended for installations up to 13' (Models 100/101) and 16' (Model 102) total dynamic head. Consult factory if installation is above 15' vertical height in 2" pipe. Sewage Pumps WM266, WM264 and WM211 are designed for use in Qwik Jon units only. They are not designed for use in any other application.

### CAUTION

All installation of controls, protection devices and wiring should be done by a qualified licensed electrician. All electrical and safety codes should be followed including the most recent National Electric Code (NEC) and the Occupational Safety and Health Act (OSHA).